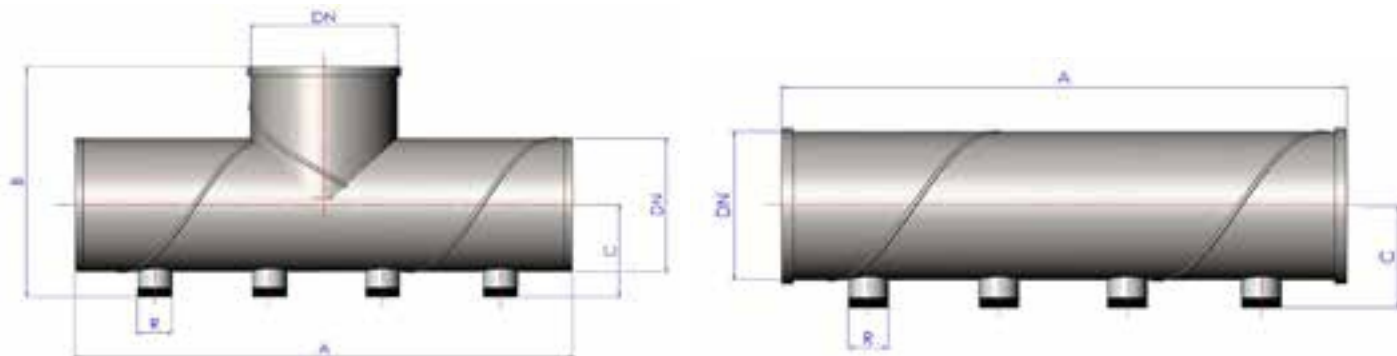


Terminal



| TERMINAL COM 4 SAÍDAS RSC MACHO | | | | | |
|---------------------------------|-------|-----|-----|-----|------------------|
| DN | | A | B | C | Ø翻 rsc |
| mm | pol | mm | mm | mm | R |
| 48 | 2 | 660 | 130 | 60 | 1/2", 3/4" ou 1" |
| 60 | 2.1/2 | 670 | 150 | 70 | 1/2", 3/4" ou 1" |
| 76 | 3 | 680 | 170 | 75 | 1/2", 3/4" ou 1" |
| 89 | 3.1/2 | 690 | 190 | 80 | 1/2", 3/4" ou 1" |
| 102 | 4 | 700 | 200 | 85 | 1/2", 3/4" ou 1" |
| 133 | 5 | 720 | 245 | 105 | 1/2", 3/4" ou 1" |
| 152 | 6 | 730 | 270 | 115 | 1/2", 3/4" ou 1" |
| 203 | 8 | 740 | 340 | 140 | 1/2", 3/4" ou 1" |
| 261 | 10 | 750 | 410 | 170 | 1/2", 3/4" ou 1" |
| 318 | 12 | 760 | 480 | 200 | 1/2", 3/4" ou 1" |

RSC NBR NM-ISO 7-1 Externa

| TERMINAL COM 2 SAÍDAS RSC MACHO | | | | |
|---------------------------------|-------|-----|-----|------------------|
| DN | | A | B | Ø翻 rsc |
| mm | pol | mm | mm | R |
| 48 | 2 | 125 | 120 | 1/2", 3/4" ou 1" |
| 60 | 2.1/2 | 135 | 140 | 1/2", 3/4" ou 1" |
| 76 | 3 | 145 | 150 | 1/2", 3/4" ou 1" |
| 89 | 3.1/2 | 155 | 160 | 1/2", 3/4" ou 1" |
| 102 | 4 | 165 | 170 | 1/2", 3/4" ou 1" |
| 133 | 5 | 175 | 210 | 1/2", 3/4" ou 1" |
| 152 | 6 | 185 | 230 | 1/2", 3/4" ou 1" |
| 203 | 8 | 200 | 280 | 1/2", 3/4" ou 1" |
| 261 | 10 | 230 | 370 | 1/2", 3/4" ou 1" |
| 318 | 12 | 250 | 400 | 1/2", 3/4" ou 1" |

RSC NBR NM-ISO 7-1 Externa

